

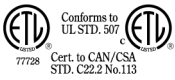
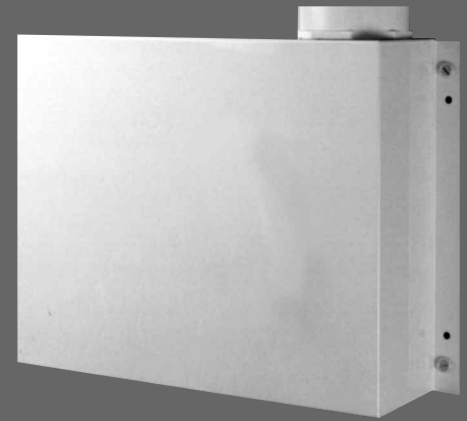


Radon Mitigation Fans

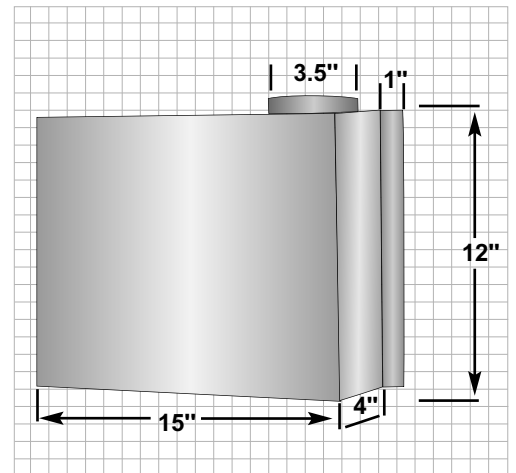
All RadonAway fans are specifically designed for radon mitigation. The GP500 is an attractive alternative to the inline tube fan. The flush mounting of the GP500 protrudes only 4" giving a neat, unobtrusive appearance. The electrical connection is inside the house.

Features:

- ◆ Attractive alternative to inline tube fans
- ◆ Very quiet and attractive
- ◆ Two-year warranty
- ◆ Thermally protected
- ◆ High performance
- ◆ Non-yellowing finish



Model	Watts	Max. Pressure "WC	Typical CFM vs. Static Pressure WC						
			1.0"	1.5"	2.0"	2.5"	3.0"	3.5"	4.0"
GP500	70-130	4.3	88	80	74	65	54	28	14



For Further Information Contact: